



UNIVERSITY OF CAMBRIDGE INTERNATIONAL EXAMINATIONS  
General Certificate of Education Advanced Level

CANDIDATE  
NAME

CENTRE  
NUMBER

--	--	--	--	--

CANDIDATE  
NUMBER

--	--	--	--



**PHYSICS**

**9702/42**

Paper 4 A2 Structured Questions

**October/November 2009**

**1 hour 45 minutes**

Candidates answer on the Question Paper.

No Additional Materials are required.

**READ THESE INSTRUCTIONS FIRST**

Write your Centre number, candidate number and name on all the work you hand in.  
Write in dark blue or black pen.  
You may use a soft pencil for any diagrams, graphs or rough working.  
Do not use staples, paper clips, highlighters, glue or correction fluid.  
**DO NOT WRITE IN ANY BARCODES.**

Answer **all** questions.

You may lose marks if you do not show your working or if you do not use appropriate units.

At the end of the examination, fasten all your work securely together.  
The number of marks is given in brackets [ ] at the end of each question or part question.

For Examiner's Use	
1	
2	
3	
4	
5	
6	
7	
8	
9	
10	
11	
12	
<b>Total</b>	

This document consists of **25** printed pages and **3** blank pages.



**Data**

speed of light in free space,	$c = 3.00 \times 10^8 \text{ m s}^{-1}$
permeability of free space,	$\mu_0 = 4\pi \times 10^{-7} \text{ H m}^{-1}$
permittivity of free space,	$\epsilon_0 = 8.85 \times 10^{-12} \text{ F m}^{-1}$
elementary charge,	$e = 1.60 \times 10^{-19} \text{ C}$
the Planck constant,	$h = 6.63 \times 10^{-34} \text{ J s}$
unified atomic mass constant,	$u = 1.66 \times 10^{-27} \text{ kg}$
rest mass of electron,	$m_e = 9.11 \times 10^{-31} \text{ kg}$
rest mass of proton,	$m_p = 1.67 \times 10^{-27} \text{ kg}$
molar gas constant,	$R = 8.31 \text{ J K}^{-1} \text{ mol}^{-1}$
the Avogadro constant,	$N_A = 6.02 \times 10^{23} \text{ mol}^{-1}$
the Boltzmann constant,	$k = 1.38 \times 10^{-23} \text{ J K}^{-1}$
gravitational constant,	$G = 6.67 \times 10^{-11} \text{ N m}^2 \text{ kg}^{-2}$
acceleration of free fall,	$g = 9.81 \text{ m s}^{-2}$

**Formulae**

uniformly accelerated motion,

$$s = ut + \frac{1}{2}at^2$$

$$v^2 = u^2 + 2as$$

work done on/by a gas,

$$W = p\Delta V$$

gravitational potential,

$$\phi = -\frac{Gm}{r}$$

hydrostatic pressure,

$$p = \rho gh$$

pressure of an ideal gas,

$$p = \frac{1}{3} \frac{Nm}{V} \langle c^2 \rangle$$

simple harmonic motion,

$$a = -\omega^2 x$$

velocity of particle in s.h.m.,

$$v = v_0 \cos \omega t$$

$$v = \pm \omega \sqrt{(x_0^2 - x^2)}$$

electric potential,

$$V = \frac{Q}{4\pi\epsilon_0 r}$$

capacitors in series,

$$1/C = 1/C_1 + 1/C_2 + \dots$$

capacitors in parallel,

$$C = C_1 + C_2 + \dots$$

energy of charged capacitor,

$$W = \frac{1}{2} QV$$

resistors in series,

$$R = R_1 + R_2 + \dots$$

resistors in parallel,

$$1/R = 1/R_1 + 1/R_2 + \dots$$

alternating current/voltage,

$$x = x_0 \sin \omega t$$

radioactive decay,

$$x = x_0 \exp(-\lambda t)$$

decay constant,

$$\lambda = \frac{0.693}{t_{\frac{1}{2}}}$$

Section A

Answer **all** the questions in the spaces provided.

1 (a) The Earth may be considered to be a uniform sphere of radius  $6.38 \times 10^3$  km, with its mass concentrated at its centre.

(i) Define *gravitational field strength*.

.....  
..... [1]

(ii) By considering the gravitational field strength at the surface of the Earth, show that the mass of the Earth is  $5.99 \times 10^{24}$  kg.

[2]

(b) The Global Positioning System (GPS) is a navigation system that can be used anywhere on Earth. It uses a number of satellites that orbit the Earth in circular orbits at a distance of  $2.22 \times 10^4$  km above its surface.

(i) Use data from (a) to calculate the angular speed of a GPS satellite in its orbit.

angular speed = .....  $\text{rad s}^{-1}$  [3]

(ii) Use your answer in (i) to show that the satellites are not in geostationary orbits.

For  
Examiner's  
Use

[3]

(c) The planes of the orbits of the GPS satellites in (b) are inclined at an angle of  $55^\circ$  to the Equator.

Suggest why the satellites are not in equatorial orbits.

.....  
..... [1]

- 2 (a) State what is meant by the *internal energy* of a gas.

.....  
 .....  
 ..... [2]

For  
Examiner's  
Use

- (b) The first law of thermodynamics may be represented by the equation

$$\Delta U = q + w.$$

State what is meant by each of the following symbols.

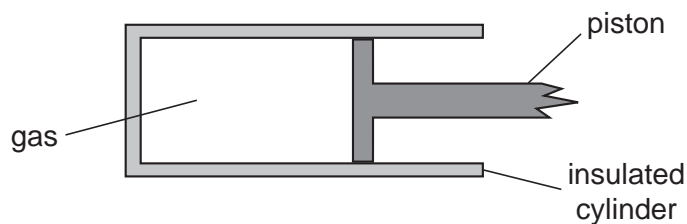
$+\Delta U$  .....

$+q$  .....

$+w$  .....

[3]

- (c) An amount of 0.18 mol of an ideal gas is held in an insulated cylinder fitted with a piston, as shown in Fig. 2.1.



**Fig. 2.1**

Atmospheric pressure is  $1.0 \times 10^5$  Pa.

The volume of the gas is suddenly increased from  $1.8 \times 10^3$  cm<sup>3</sup> to  $2.1 \times 10^3$  cm<sup>3</sup>.

For the expansion of the gas,

- (i) calculate the work done by the gas and hence show that the internal energy changes by 30 J,

[3]

- (ii) determine the temperature change of the gas and state whether the change is an increase or a decrease.

*For  
Examiner's  
Use*

change = ..... K

.....  
[3]

3 The variation with displacement  $x$  of the acceleration  $a$  of the centre of the cone of a loudspeaker is shown in Fig. 3.1.

For  
Examiner's  
Use

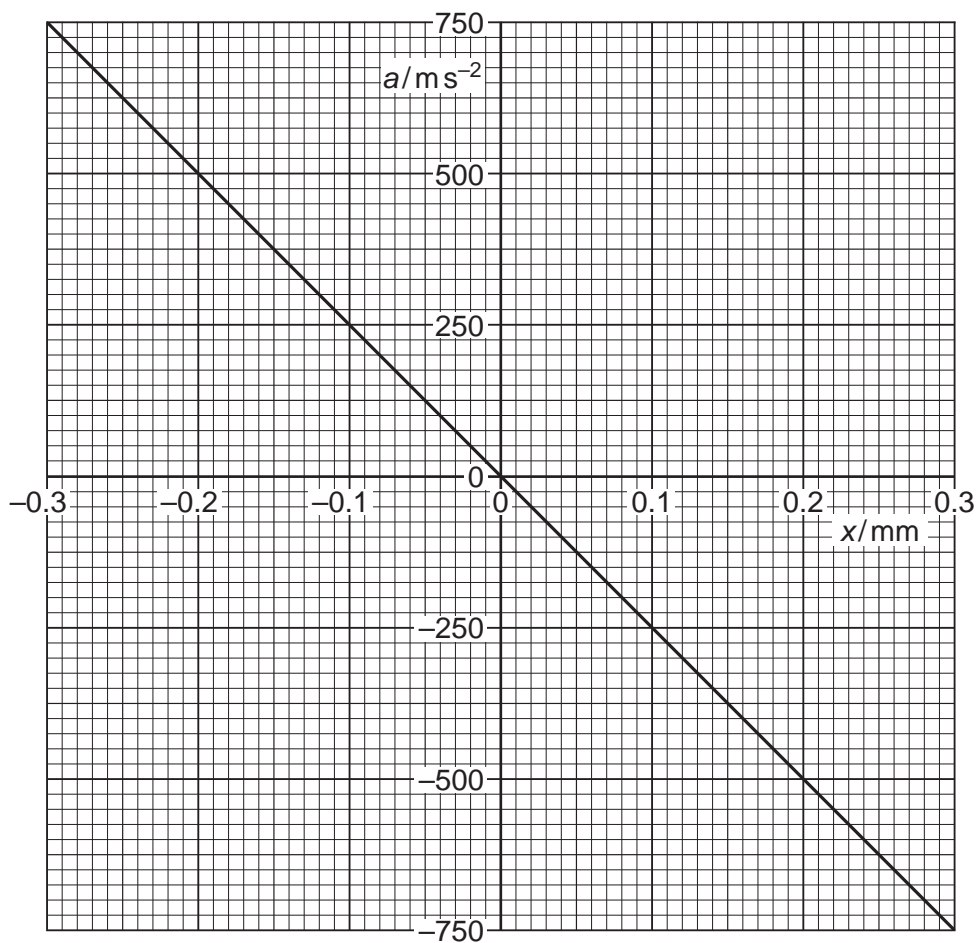


Fig. 3.1

(a) State the two features of Fig. 3.1 that show that the motion of the cone is simple harmonic.

1. ....

2. ....

[2]

(b) Use data from Fig. 3.1 to determine the frequency, in hertz, of vibration of the cone.

frequency = ..... Hz [3]



- (c) The frequency of vibration of the cone is now reduced to one half of that calculated in (b).

The amplitude of vibration remains unchanged.

On the axes of Fig. 3.1, draw a line to represent the variation with displacement  $x$  of the acceleration  $a$  of the centre of the loudspeaker cone.

*For  
Examiner's  
Use*

[2]

4 (a) Define *capacitance*.

.....  
..... [1]

(b) An isolated metal sphere of radius  $R$  has a charge  $+Q$  on it.

The charge may be considered to act as a point charge at the centre of the sphere.

Show that the capacitance  $C$  of the sphere is given by the expression

$$C = 4\pi\epsilon_0 R$$

where  $\epsilon_0$  is the permittivity of free space.

[1]

(c) In order to investigate electrical discharges (lightning) in a laboratory, an isolated metal sphere of radius 63 cm is charged to a potential of  $1.2 \times 10^6$  V.

At this potential, there is an electrical discharge in which the sphere loses 75% of its energy.

Calculate

(i) the capacitance of the sphere, stating the unit in which it is measured,

capacitance = ..... [3]

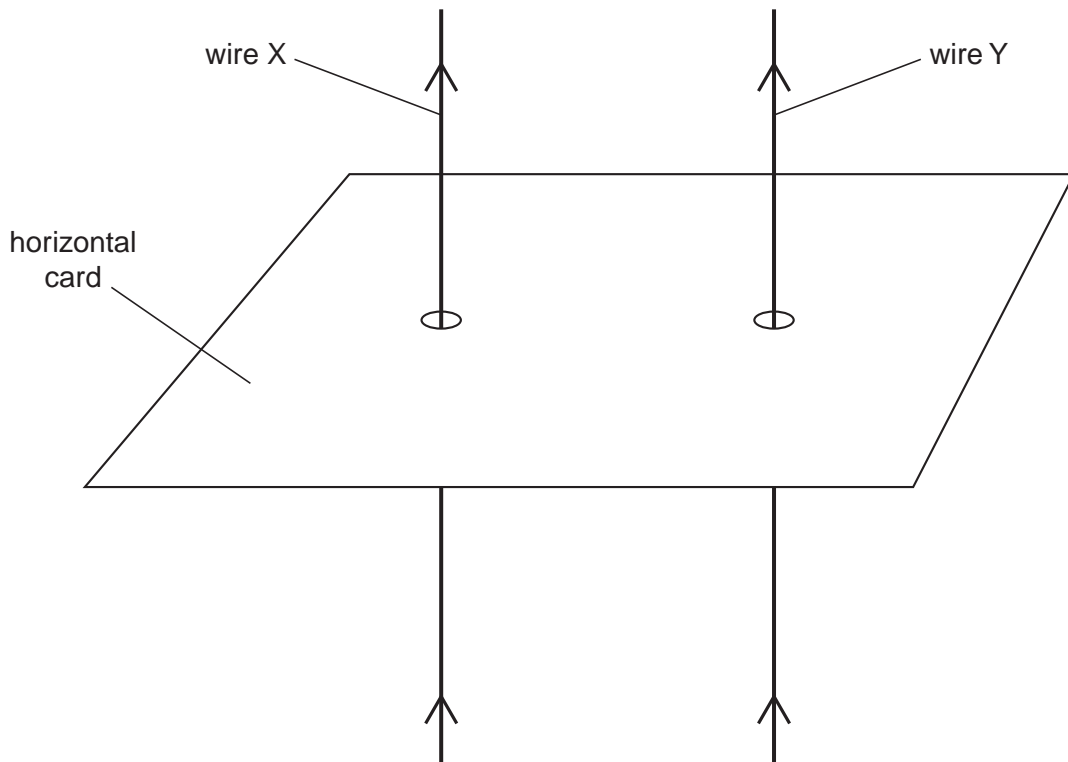
- (ii) the potential of the sphere after the discharge has taken place.

*For  
Examiner's  
Use*

potential = ..... V [3]

- 5 Two long straight vertical wires X and Y pass through a horizontal card, as shown in Fig. 5.1.

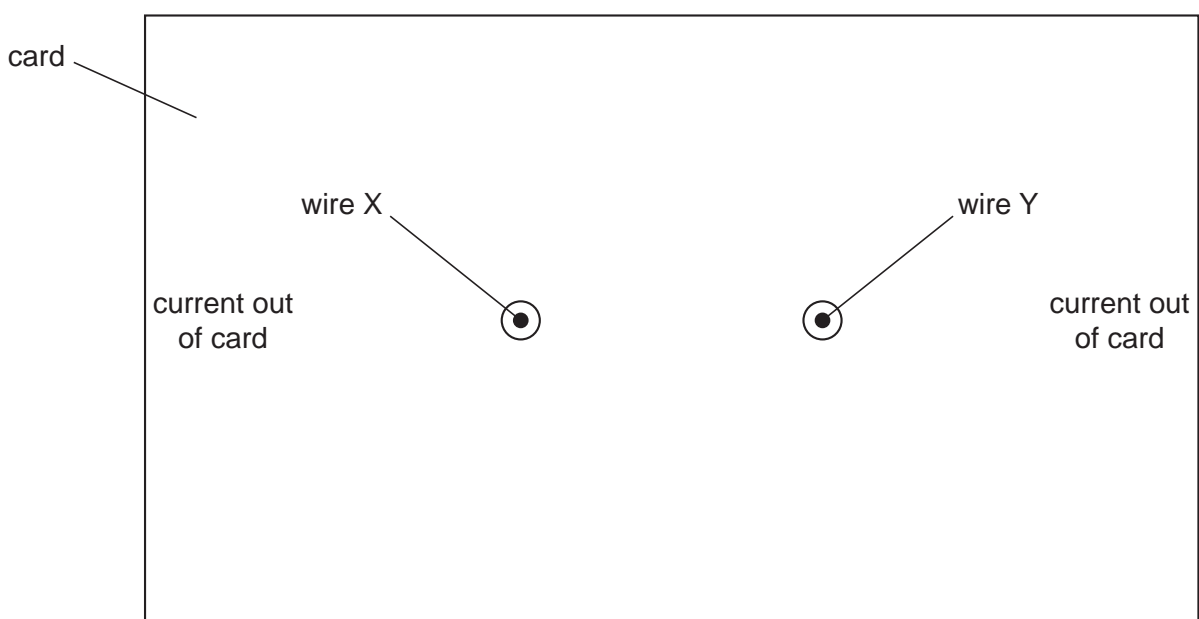
For  
Examiner's  
Use



**Fig. 5.1**

The current in each wire is in the upward direction.

The top view of the card, seen by looking vertically downwards at the card, is shown in Fig. 5.2.



**Fig. 5.2** (not to scale)

(a) On Fig. 5.2,

- (i) draw four field lines to represent the pattern of the magnetic field around wire X due solely to the current in wire X, [2]
- (ii) draw an arrow to show the direction of the force on wire Y due to the magnetic field of wire X. [1]

(b) The magnetic flux density  $B$  at a distance  $x$  from a long straight wire due to a current  $I$  in the wire is given by the expression

$$B = \frac{\mu_0 I}{2\pi x},$$

where  $\mu_0$  is the permeability of free space.

The current in wire X is 5.0A and that in wire Y is 7.0A. The separation of the wires is 2.5cm.

- (i) Calculate the force per unit length on wire Y due to the current in wire X.

force per unit length = .....  $\text{Nm}^{-1}$  [4]

- (ii) The currents in the wires are not equal.

State and explain whether the forces on the two wires are equal in magnitude.

.....  
 .....  
 ..... [2]

6 An ideal transformer is illustrated in Fig. 6.1.

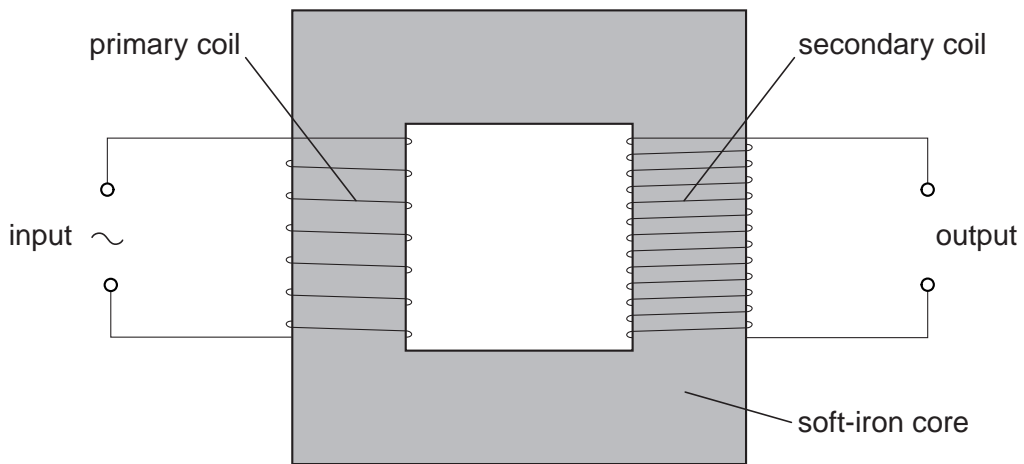


Fig. 6.1

(a) (i) State Faraday's law of electromagnetic induction.

.....  
 .....  
 ..... [2]

(ii) Use the law to explain why a transformer will not operate using a direct current input.

.....  
 .....  
 ..... [2]

(b) (i) State Lenz's law.

.....  
 .....  
 ..... [2]

(ii) Use Lenz's law to explain why the input potential difference and the output e.m.f. are not in phase.

.....  
 .....  
 ..... [2]

(c) Electrical energy is usually transmitted using alternating high voltages.

Suggest one advantage, for the transmission of electrical energy, of using

(i) alternating voltage, .....  
..... [1]

(ii) high voltage. ....  
..... [1]

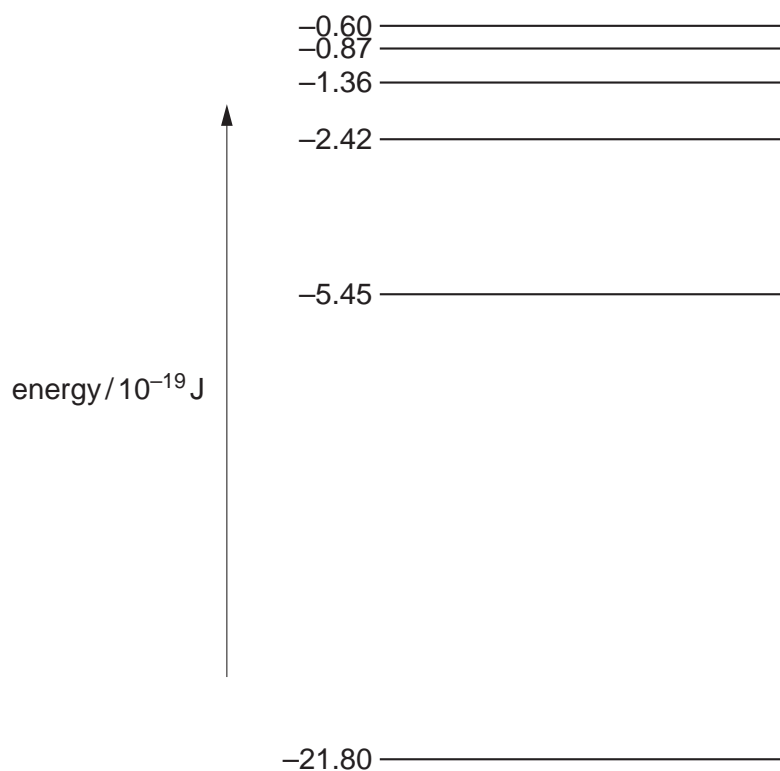
*For  
Examiner's  
Use*





(ii) Energy levels of a single electron in a hydrogen atom are shown in Fig. 7.3.

For  
Examiner's  
Use



**Fig. 7.3** (not to scale)

Use data from (i) to show, on Fig. 7.3, the transitions associated with each of the four spectral lines shown in Fig. 7.1. Show each transition with an arrow. [2]

8 (a) State what is meant by the *decay constant* of a radioactive isotope.

.....  
.....  
..... [2]

(b) Show that the decay constant  $\lambda$  is related to the half-life  $t_{\frac{1}{2}}$  by the expression

$$\lambda t_{\frac{1}{2}} = 0.693.$$

[3]

(c) Cobalt-60 is a radioactive isotope with a half-life of 5.26 years ( $1.66 \times 10^8$  s).

A cobalt-60 source for use in a school laboratory has an activity of  $1.8 \times 10^5$  Bq.

Calculate the mass of cobalt-60 in the source.

mass = ..... g [3]

**BLANK PAGE**

**Please turn over for Section B.**

Section B

Answer **all** the questions in the spaces provided.

For  
Examiner's  
Use

- 9 An amplifier incorporating an operational amplifier (op-amp) has three inputs A, B and C, as shown in Fig. 9.1.

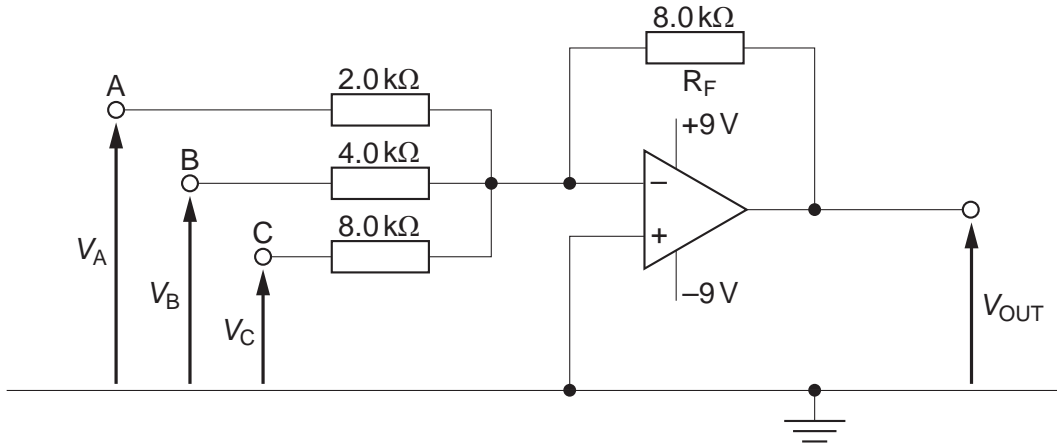


Fig. 9.1

Negative feedback is provided by the resistor  $R_F$  of resistance  $8.0\text{ k}\Omega$ .

For each of the inputs A, B and C, the amplifier may be considered as a single input amplifier. That is, each input is independent of the other two.

When the amplifier is not saturated, the output potential  $V_{OUT}$  is given by the expression

$$V_{OUT} = -(4V_A + GV_B + V_C),$$

where  $V_A$ ,  $V_B$  and  $V_C$  are the input potentials of the inputs A, B and C respectively and  $G$  is a constant.

- (a) State two effects of negative feedback on an amplifier.

1. ....
- .....
2. ....
- .....

[2]

- (b) In the expression for the output potential  $V_{OUT}$ , the constant  $G$  is the gain associated with input B. Show that the numerical value of  $G$  is 2.

For  
Examiner's  
Use

[1]

- (c) The input potentials  $V_A$ ,  $V_B$  and  $V_C$  are either zero or 1.0V.

The magnitudes of some output potentials for different combinations of  $V_A$ ,  $V_B$  and  $V_C$  are shown in Fig. 9.2.

$V_A/V$	$V_B/V$	$V_C/V$	$V_{OUT}/V$
0	0	1	1
0	1	0	.....
1	0	0	4
1	0	1	5
1	1	0	.....
1	1	1	.....

Fig. 9.2

- (i) Complete Fig. 9.2 for the three remaining values of  $V_{OUT}$ . [1]
- (ii) Suggest a use for this circuit.

..... [1]

10 (a) A typical spectrum of the X-ray radiation produced by electron bombardment of a metal target is illustrated in Fig. 10.1.

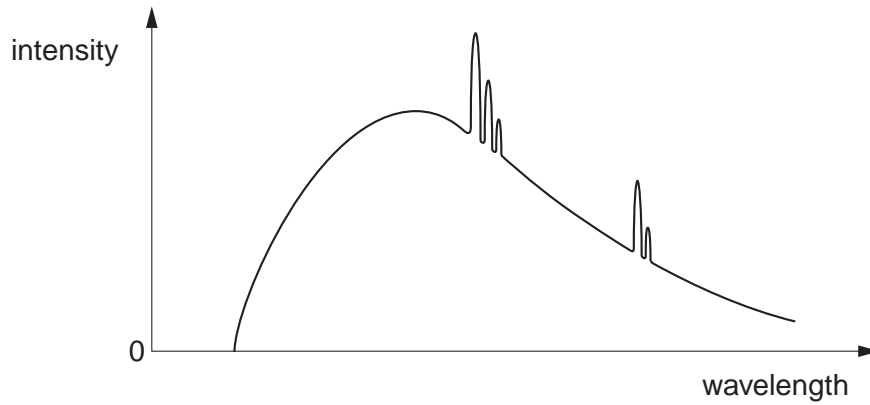


Fig. 10.1

Explain why

(i) a continuous spectrum of wavelengths is produced,

.....  
.....  
.....  
..... [3]

(ii) the spectrum has a sharp cut-off at short wavelengths.

.....  
..... [1]

(b) The variation with photon energy  $E$  of the linear absorption coefficient  $\mu$  of X-rays in soft tissue is illustrated in Fig. 10.2.

For  
Examiner's  
Use

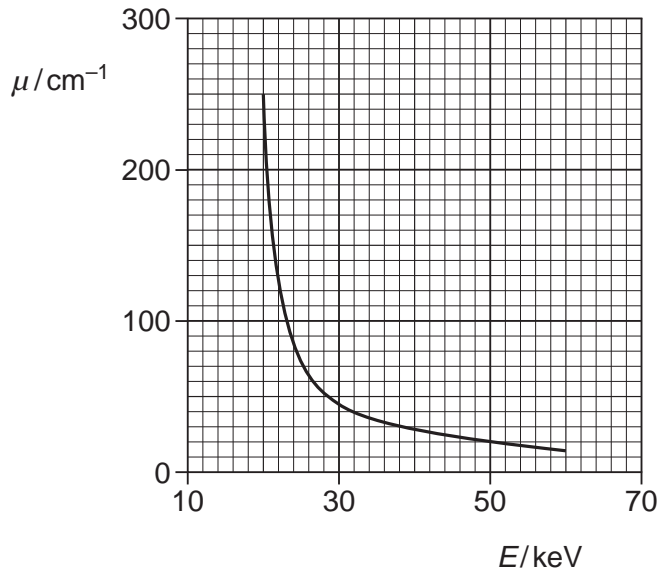


Fig. 10.2

(i) Explain what is meant by *linear absorption coefficient*

.....

.....

.....

..... [3]

(ii) For one particular application of X-ray imaging, electrons in the X-ray tube are accelerated through a potential difference of 50 kV.

Use Fig. 10.2 to explain why it is advantageous to filter out low-energy photons from the X-ray beam.

.....

.....

.....

..... [3]

11 The variation with time of the signal transmitted from an aerial is shown in Fig. 11.1.

For  
Examiner's  
Use

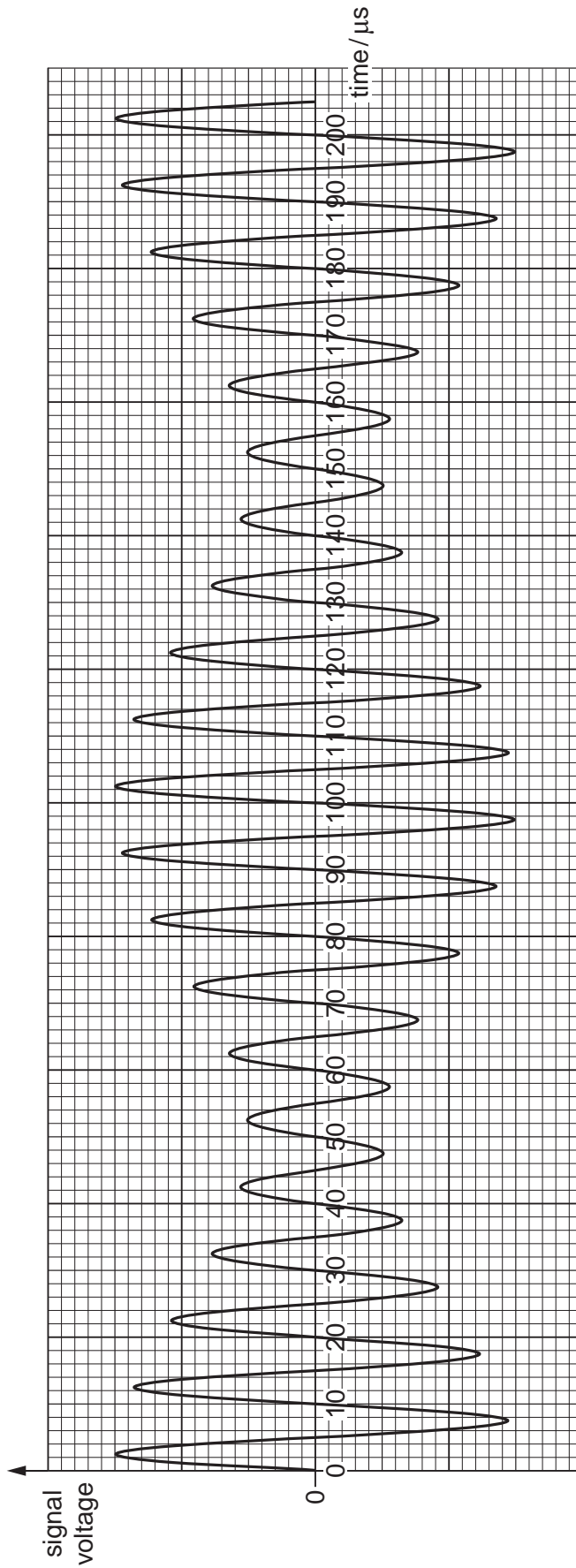


Fig. 11.1



(a) State the name of this type of modulated transmission.

..... [1]

(b) Use Fig. 11.1 to determine the frequency of

(i) the carrier wave,

frequency = ..... Hz [2]

(ii) the information signal.

frequency = ..... Hz [1]

(c) (i) On the axes of Fig. 11.2, draw the frequency spectrum (the variation with frequency of the signal voltage) of the signal from the aerial. Mark relevant values on the frequency axis.

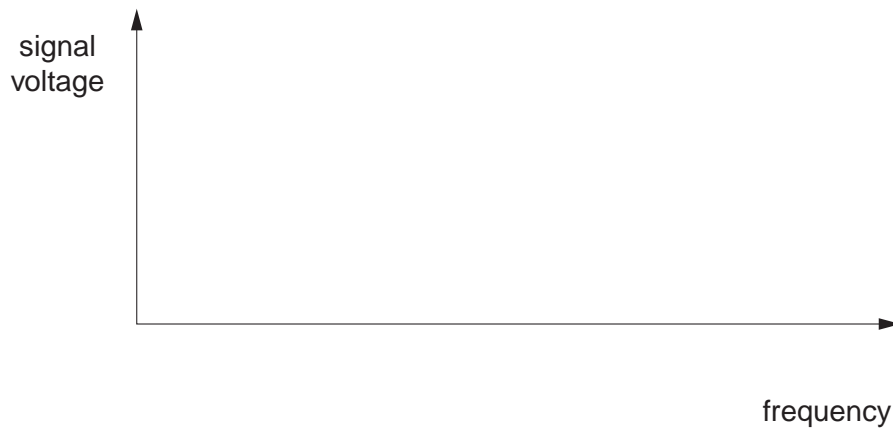


Fig. 11.2

[3]

(ii) Determine the bandwidth of the signal.

bandwidth = ..... Hz [1]

12 A block diagram representing part of a mobile phone network is shown in Fig. 12.1.

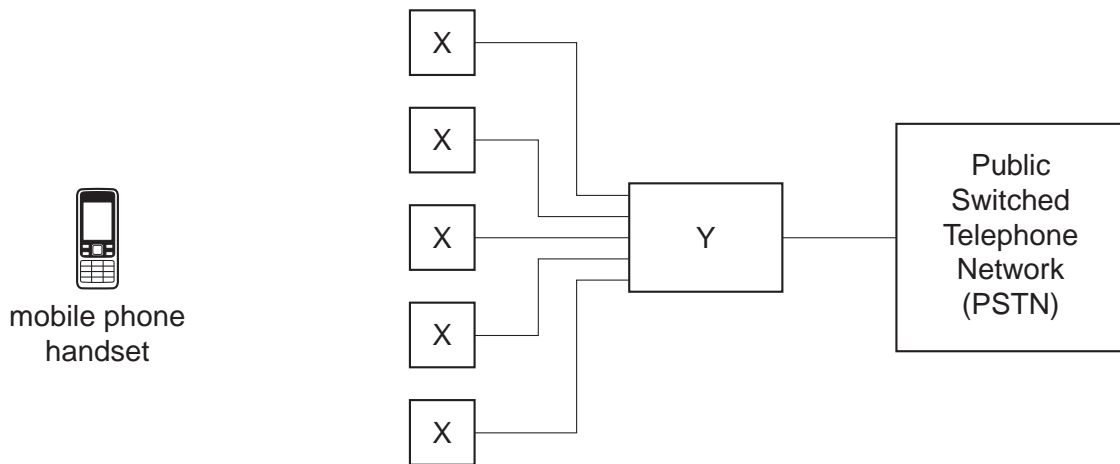


Fig. 12.1

(a) State what is represented by

(i) the blocks labelled X,

..... [1]

(ii) the block labelled Y.

..... [1]

(b) A user of a mobile phone is making a call.

Explain the role of the components in the boxes labelled X and Y during the call.

.....  
.....  
.....  
.....  
.....  
.....  
.....  
.....  
..... [5]

**BLANK PAGE**

**BLANK PAGE**

---

Permission to reproduce items where third-party owned material protected by copyright is included has been sought and cleared where possible. Every reasonable effort has been made by the publisher (UCLES) to trace copyright holders, but if any items requiring clearance have unwittingly been included, the publisher will be pleased to make amends at the earliest possible opportunity.

University of Cambridge International Examinations is part of the Cambridge Assessment Group. Cambridge Assessment is the brand name of University of Cambridge Local Examinations Syndicate (UCLES), which is itself a department of the University of Cambridge.